

TBR - 250A

EN 50180 transformer bushing

FEATURES

Epoxy resin bushings for oil transformers with plug-in cable connection in compliance with EN 50180.

All versions include: plastic cap on cable connection, fixing hardware for lower connection, screen earthing plaque with its screw.

Earthing cable is available as an alternative to the plaque (standard for model 92308).

On request is also available the fixing system in compliance with EN 50180-2/3:

- ✓ Aluminium flange
- ✓ NBR gasket
- ✓ Stainless steel washers
- ✓ Stainless steel nuts

REFERENCE STANDARDS

IEC 60137, EN 50180

ROUTINE TESTS

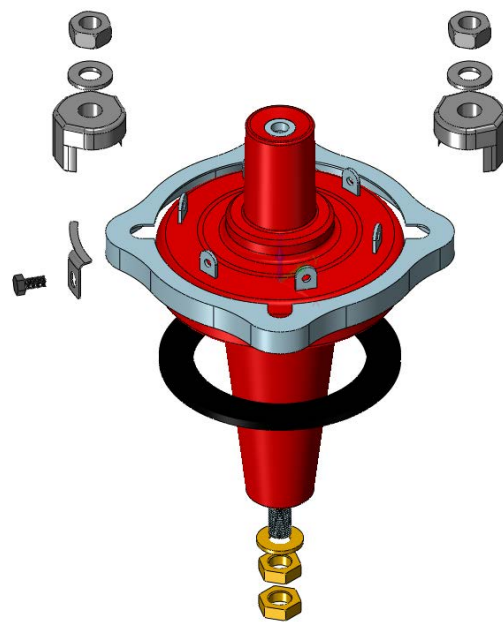
- Visual and dimensional check
- Glass transition temperature
- Dry power frequency withstand
- Partial discharges

TESTS ON DEMAND

- Dry lightning impulse voltage
- Bending stress
- High temperature test

Name	Drawing	Interface EN 50180	Max. operating voltage	Lightning impulse voltage withstand	Power frequency voltage withstand	Nominal current
TBR 24/250 very reduced	92308	A1	24 kV	125 kV	55 kV	250 A
TBR 24/250 reduced	92310					
TBR 24/250	92315					
TBR 36/250	92410	B1	36 kV	170 kV	77 kV	250 A

250A - INTERFACE A1



250A - INTERFACE B1

